

General Purpose Unions

Applications

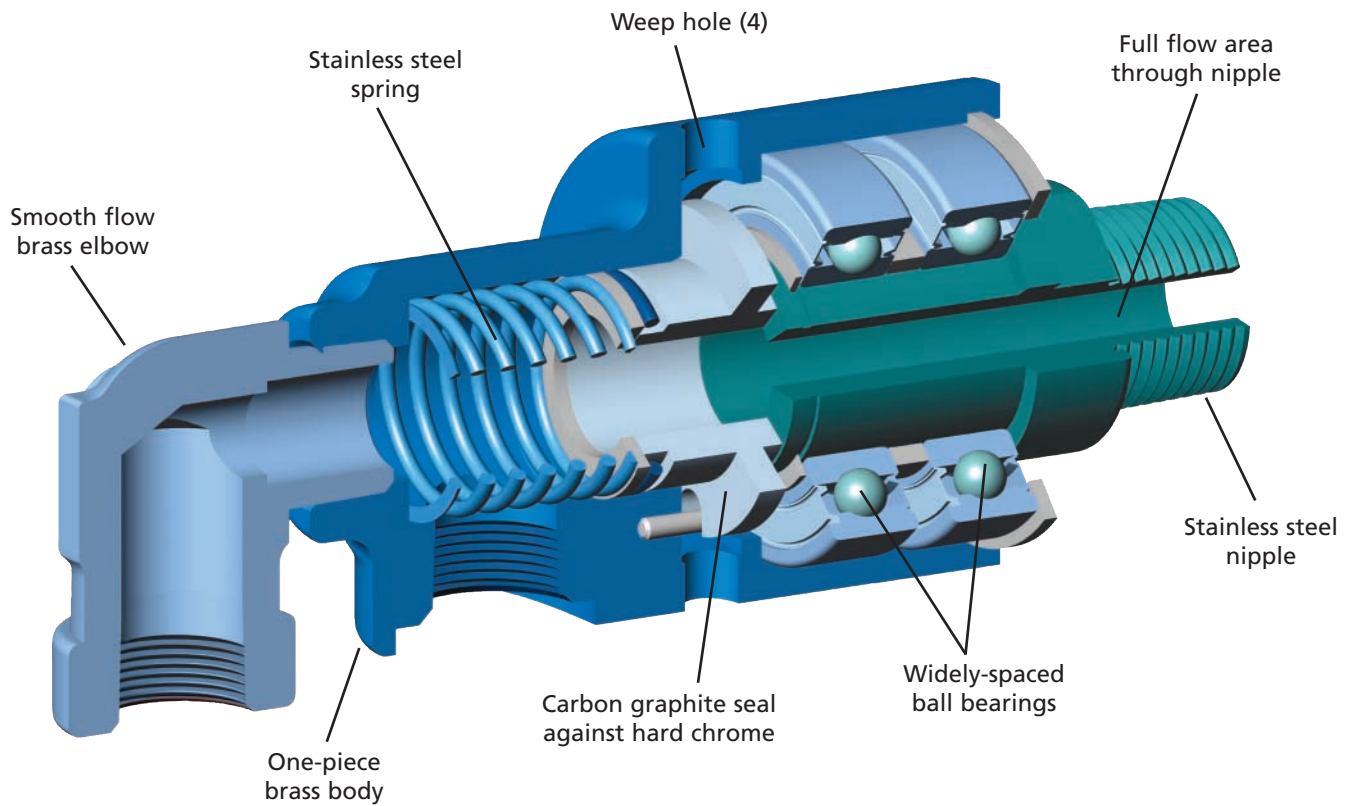
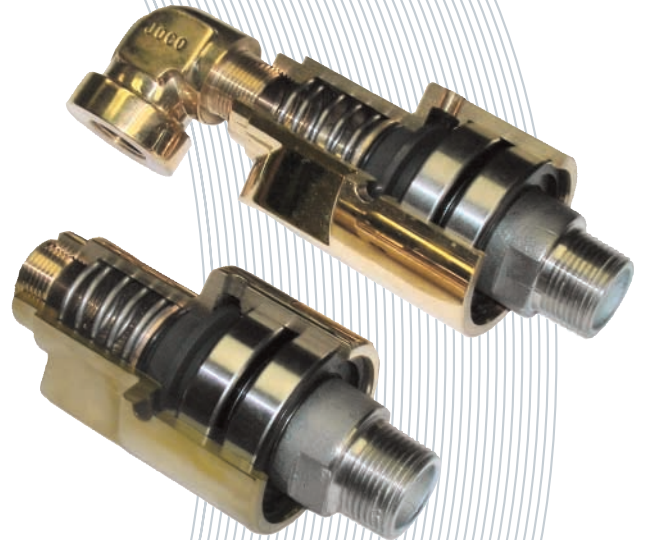
Type WH ball bearing unions are general-purpose unions designed for water service. The widely spaced ball bearings, balanced seal, and stainless steel nipple provide for extended operating life.

Features

- ▶ Stainless steel nipple
- ▶ Uniform, full flow design
- ▶ Widely-spaced ball bearings
- ▶ Micro-lapped balanced seal
- ▶ Nipple available in threaded or "Q" quick release option

Benefits

- ▶ Extended operating life, less corrosion
- ▶ Low pressure drop
- ▶ Increased radial support
- ▶ Minimal seal loading, less torque
- ▶ Mounting flexibility



Ratings

Maximum Pressure:	10 bar
Maximum Temperature:	120°C
Maximum Speed:	Up to 1,000 RPM

WH ROTARY JOINTS

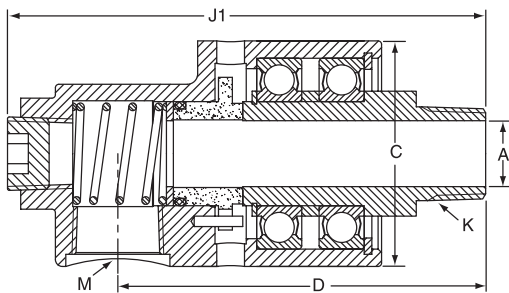
Dimensions in mm

M BSP	K Nipple Thread BSP	P BSP	S		Part ID			A	C	D	G	J1	J2
			Fixed BSP	Rotating mm	Single Flow	Dual Flow Fixed Pipe	Dual Flow Rotating Pipe						
3/8"	3/8" - RH	1/4"	M6 x 1 - RH	-	995.945/0007	995.946/0006	-	10	55	102	42	128	155
	3/8" - LH	1/4"	M6 x 1 - RH	-	995.945/0006	995.946/0005	-	10	55	102	42	128	155
1/2"	1/2" - RH	3/8"	1/8" - RH	10	995.942/0008	995.943/0006	995.944/0006	13	55	108	44	134	166
	1/2" - LH	3/8"	1/8" - RH	10	995.942/0007	995.943/0005	995.944/0005	13	55	108	44	134	166
3/4"	3/4" - RH	1/2"	1/4" - RH	12	995.936/0008	995.937/0006	995.938/0006	18	65	115	54	147	186
	3/4" - LH	1/2"	1/4" - RH	12	995.936/0007	995.937/0005	995.938/0005	18	65	115	54	147	186
1"	1" - RH	1/2"	3/8" - RH	16	995.930/0007	995.931/0006	995.932/0008	24	74	128	66	161	220
	1" - LH	1/2"	3/8" - RH	16	995.930/0006	995.931/0005	995.932/0007	24	74	128	66	161	220
1 1/4"	1 1/4" - RH	3/4"	1/2" - RH	20	995.939/0008	995.940/0006	995.941/0006	33	87	153	84	197	262
	1 1/4" - LH	3/4"	1/2" - RH	20	995.939/0007	995.940/0005	995.941/0005	33	87	153	84	197	262
1 1/2"	1 1/2" - RH	1"	3/4" - RH	25	995.933/0011	995.934/0008	995.935/0007	38	92	161	80	206	265
	1 1/2" - LH	1"	3/4" - RH	25	995.933/0010	995.934/0007	995.935/0006	38	92	161	80	206	265

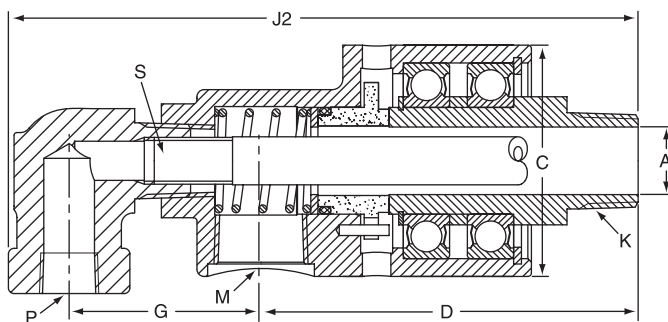
BSP Threads available for next day shipment.

Important Notice: The ratings listed are maximum limits for speed, pressure, and operating temperature. Operational limits for each will vary with their combination. Different thread and mounting configurations will also affect ratings. For specific information, contact Kadant Johnson or your representative. Specifications and dimensions subject to change at manufacturer's discretion. For other configurations, consult factory.

Single Flow



Dual Flow



KADANT
JOHNSON

AN ACCENT ON INNOVATION

Kadant Johnson is a leading provider of rotary joints, rotary unions, and precision unions for efficient fluid handling in a range of industries.

www.kadantjohnson.com

Contact us:

KADANT JOHNSON
805 Wood Street
Three Rivers, MI 49093 USA

Tel: +1-269-278-1715

Fax: +1-269-279-5980

Email: info@kadantjohnson.com